

ABBC120SS
24" BEVERAGE CENTER
STAINLESS STEEL

AVIVA



CONTROLS AND FUNCTIONS

Product type	Beverage center
Temperature zone(s)	1-18°C (34-64°F)
Configuration	Single door
Controls	Electronic touch controls with Blue LED display
Interior lighting	4-level Blue LED lighting on top
Door open alarm	Yes
High-temperature alarm	Yes
Dual-sensor precision temperature control	Yes
Fan-assisted cooling	Yes
Sabbath mode	Yes

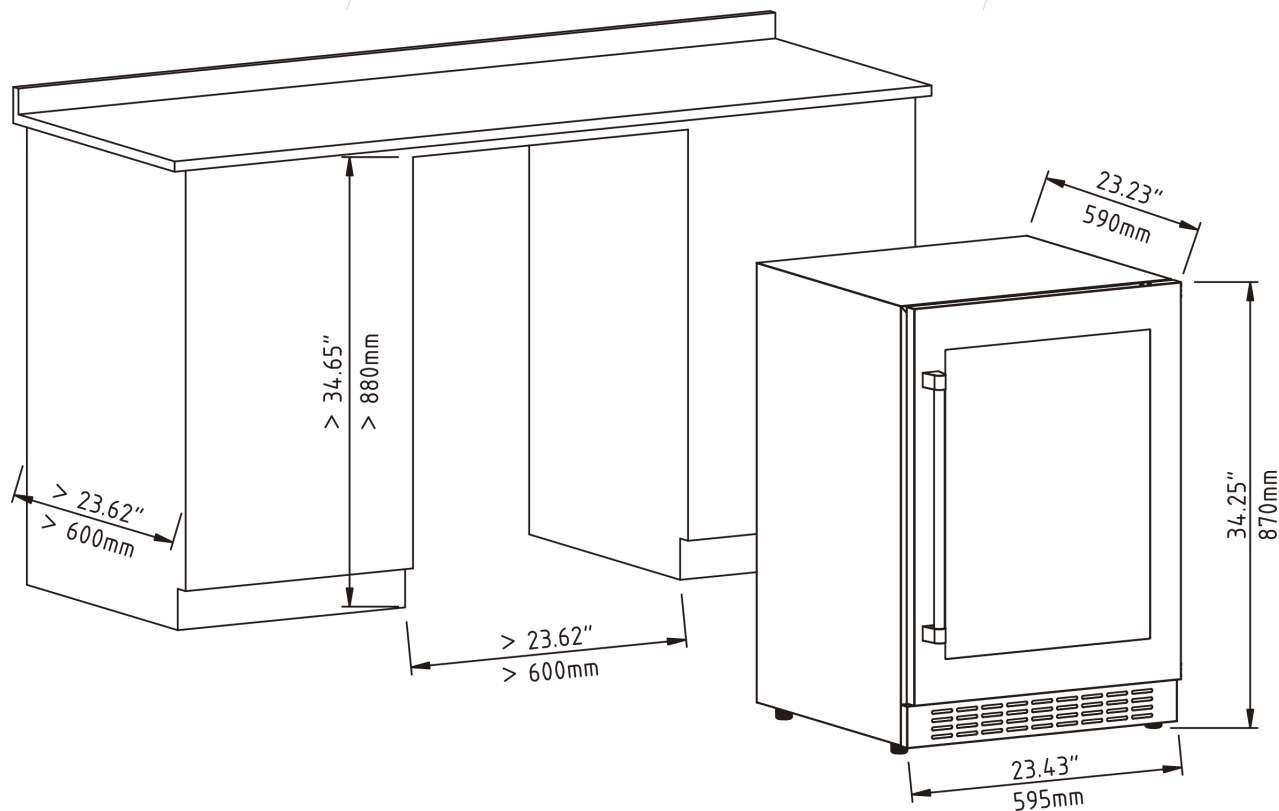
SPECIFICATIONS AND DIMENSIONS

Dimensions	23 7/16"(W) x 23 1/4"(D) x 34 1/4"(H)
Sound level	39 dBA
Capacity	120 cans (12-oz.) + 7 bottles (750-ml)
Shelves	1 full-extension, soft-close wood rack with stainless trim + 2 height-adjustable glass shelves with airflow openings
Door & hinge	Field-reversible door with articulated hinge
Door frame	Seamless 304-grade stainless steel
Glass door	Triple-pane with Low-e argon gas
Door lock	No
Handle	Tubular pro
Kickplate	Stainless steel
Cabinet finish	Black
Air filtration	Yes - with carbon filter
Installation	Built-in or freestanding
Refrigerant	R600a
Compressor	Embraco
Electrical requirements	115V / 60Hz / 1.25A
Warranty	2 years parts and labor, 5 years on sealed system (parts only)
UPC Code	628173081581

ABBC120SS 24" BEVERAGE CENTER STAINLESS STEEL

AVIVA

DIMENSIONS & INSTALLATION



Note: If the appliance is fully built in and installed with a kitchen plinth, ensure that the ventilation openings in the plinth provide at least 300 cm² of free airflow. Remove any ventilation grilles so that hot air can disperse without obstruction. Otherwise, the appliance will operate under higher strain, leading to increased energy consumption.

LOADING CAPACITY

