

# ABCU422SS

## 24" DUAL ZONE, FRENCH DOOR WINE CELLAR / BEVERAGE CENTER

# AVIVA



### CONTROLS AND FUNCTIONS

Product type	2 Zones, Wine cellar + Beverage center (each side convertible)
Temperature range	2-20°C / 35-68°F (each zone)
Configuration	French door
Controls	Electronic touch controls with Blue LED display
Interior lighting	4-level Blue LED lighting on top
Door open alarm	Yes
High-temperature alarm	Yes
Multi-sensor precision temperature control	Yes
Fan-assisted cooling	Yes
Sabbath mode	Yes

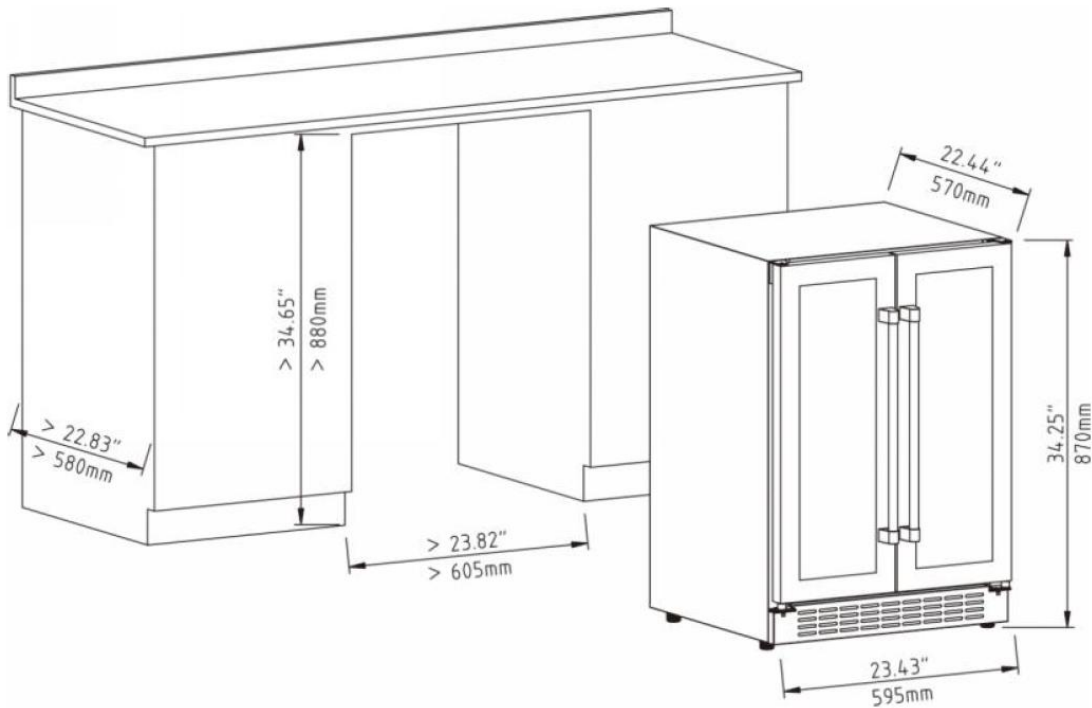
### SPECIFICATIONS AND DIMENSIONS

Dimensions	23 7/16" (W) x 22 7/16" (D) x 34 1/4" (H)
Sound level	39 dBA
Capacity	42 bottles (750-ml) or 21 bottles (750-ml) + 60 cans (12-oz)
Shelves	12 wooden shelves with stainless front + 3 glass shelves (included in package)
Door hinge	Zero clearance hinge
Door frame	Seamless 304-grade stainless steel
Glass door	Triple-pane with Low-e argon gas
Door lock	No
Handle	Tubular pro
Kickplate	Stainless steel
Cabinet color	Black
Air filtration	Yes - with carbon filter (2 pcs.)
Installation	Built-in or freestanding
Refrigerant	R600a
Compressor	Embraco
Electrical requirements	115V / 60Hz / 1.5A
Warranty	2 years parts and labor, 5 years sealed system (parts only)
UPC Code	628173080805

# ABCU422SS 24" DUAL ZONE, FRENCH DOOR WINE CELLAR / BEVERAGE CENTER

# AVIVA

## DIMENSIONS & INSTALLATION



Note: If the appliance is fully built in and installed with a kitchen plinth, ensure that the ventilation openings in the plinth provide at least 300 cm<sup>2</sup> of free airflow. Remove any ventilation grilles so that hot air can disperse without obstruction. Otherwise, the appliance will operate under higher strain, leading to increased energy consumption.

## LOADING CAPACITY

