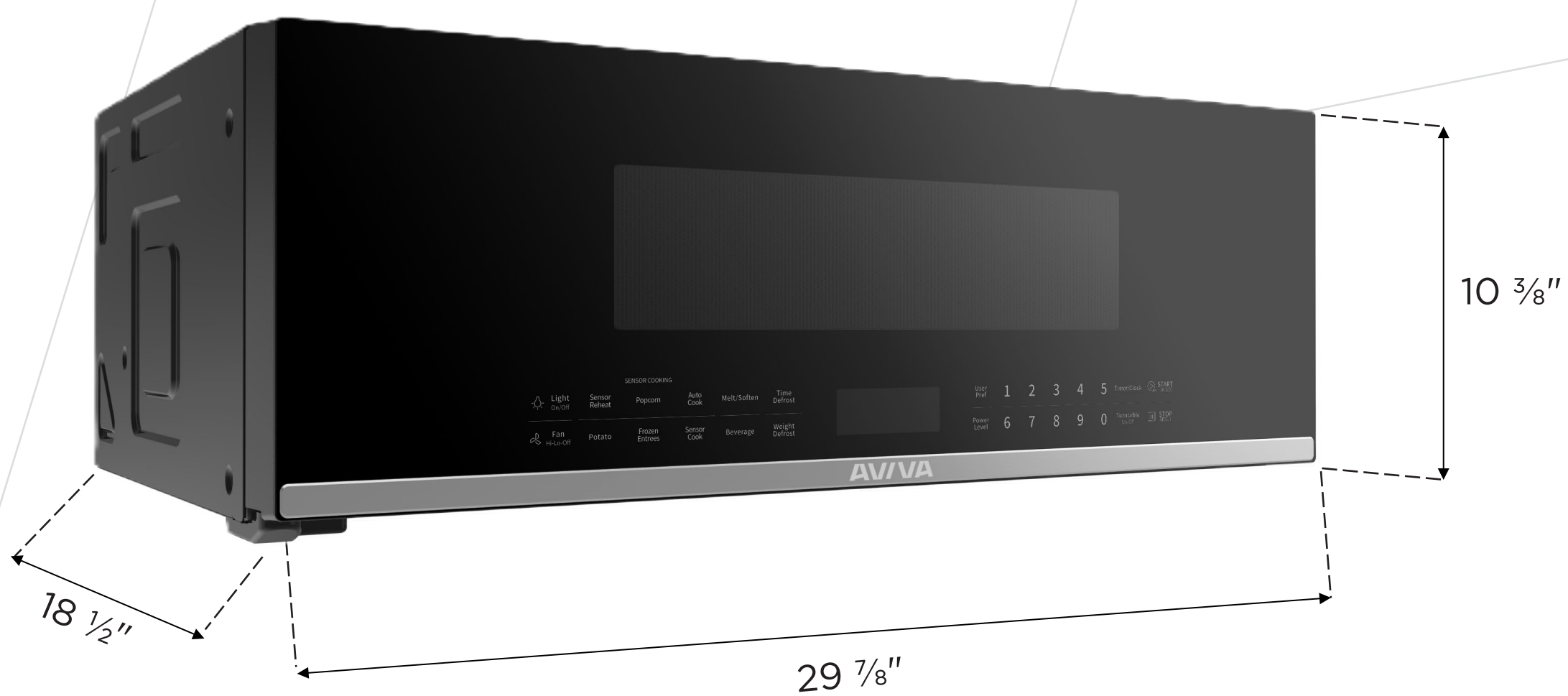


# AOTRS30400S 30" OVER THE RANGE MICROWAVE

# AVIVA



# AOTRS30400S 30" OVER THE RANGE MICROWAVE

# AVIVA

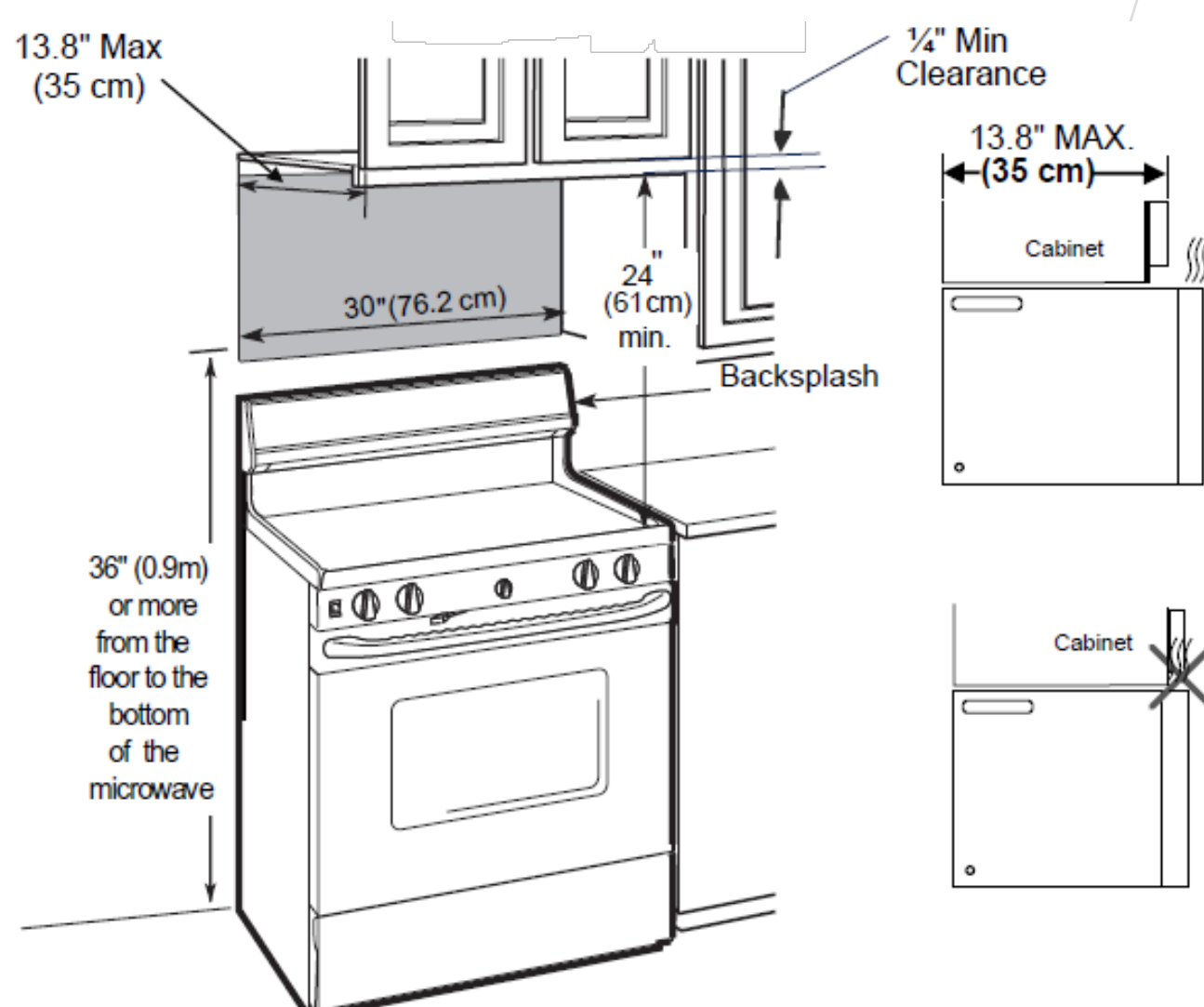
## CONTROLS AND FUNCTIONS

- Colour: Black glass with stainless bottom trim
- Recessed handle, left swing
- Cavity: Enameled white
- LED Display: Cooking Time / Power Indicators / Clock
- Sensor cooking
- Auto cook
- Auto reheat
- 24 pre-programmed menu
- Auto defrost
- Popcorn mode
- Beverage mode
- Soften/melt mode
- 10 Power Levels
- Bottom Light: Hi/Lo/Off
- Interior oven light: LED
- Keypad: Adjust cooking time, power level, weight
- Control Lock
- +30 Sec. Mode: Quick start function
- Start button: To start the oven and for Full-Power mode
- 2-Speed Vent: Hi/Lo/Off
- Convertible to ductless venting with charcoal filters (included)
- Aluminum mesh filter (2) + (2) charcoal filters

## SPECIFICATIONS AND DIMENSIONS

<b>Electrical requirements</b>	120V/60Hz/15A (1.5 kW); 3-prong plug included
<b>Power output</b>	1000 Watts
<b>Ventilation power and speed</b>	400 CFM / 2-speed
<b>Microwave capacity</b>	1.2 cubic feet
<b>Turntable size</b>	12.4"
<b>Dimensions (Ext.)</b>	29 7/8" (W) x 18 1/2" (D) x 10 3/8" (H)
<b>Dimensions (Int.)</b>	21 7/8" (W) x 12 1/4" (D) x 7 7/16" (H)
<b>Duct transition</b>	3 1/4" x 10" top and rear
<b>Warranty</b>	2 years parts and labour
<b>UPC Code</b>	628173081741

## MOUNTING SPACE



Note: If the cabinet depth, including the cabinet doors, is more than 13.8" (35cm), then the unit must be spaced out from wall using adequate materials supporting 150 lbs. to allow proper top vent air exhaust/intake.